

Chrysler Trucks 4x4



Chrysler Trucks 4x4

TOWN & COUNTRY 1991-1995

IR-8319



IR-8320

IR-8319-A <



IR-8319-B <



> IR-8319-B



> IR-8319-A



<	IR-8319	4728885	L/H CONTROL ARM / BRAZO IZDO.	
>	IR-8320	4728884	R/H CONTROL ARM / BRAZO DCHO.	
<	IR-8319-B	5272084	SUSPENSION BUSH / SILEMBLOC DE SUSPENSION	
<	IR-8319-A	5272098	SUSPENSION BUSH / SILEMBLOC DE SUSPENSION	



> **CHRYSLER PASSENGER** IMPERIAL 1991-1993 / LEBARON 1991-1995 / NEW YORKER 1991-1993 / VOYAGER 1991-1995 / **CHRYSLER TRUCKS 4X2** TOWN & COUNTRY 1991-1995 / **DODGE** DAYTONA 1991 / DYNASTY 1991-1993 / SHADOW 1991-1995 / **DODGE TRUCKS 4X2** CARAVAN 1991-1995 / GRAND CARAVAN 1991-1995 / **DODGE TRUCKS 4X4** CARAVAN 1991-1995 / GRAND CARAVAN 1991-1995 // **PLYMOUTH PASSENGER** SUNDANCE 1991-1994 / **PLYMOUTH TRUCKS 4X2** GRAND VOYAGER 1991-1995 / VOYAGER 1991-1995 / **PLYMOUTH TRUCKS 4X4** GRAND VOYAGER 1991-1995

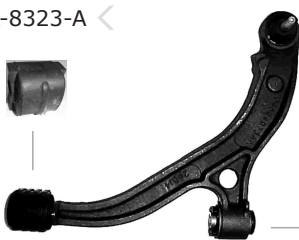
TOWN & COUNTRY 2001->

IR-8323



IR-8324

IR-8323-A <



IR-8321-B <



> IR-8321-B



> IR-8324-A



<	IR-8323	4766543	L/H CONTROL ARM / BRAZO IZDO.	4766377
>	IR-8324	4766542	R/H CONTROL ARM / BRAZO DCHO.	4766376
<	IR-8321-B	5272084	SUSPENSION BUSH / SILEMBLOC DE SUSPENSION	
<	IR-8323-A	4743095-AA	SUSPENSION BUSH / SILEMBLOC DE SUSPENSION	
>	IR-8324-A	4743094-AA	SUSPENSION BUSH / SILEMBLOC DE SUSPENSION	



> **CHRYSLER TRUCKS 4X2** VOYAGER 2001-> / **PLYMOUTH TRUCKS 4X2** VOYAGER 2001-> / **PLYMOUTH TRUCKS 4X4** VOYAGER 2001->

Chrysler Trucks 4x4

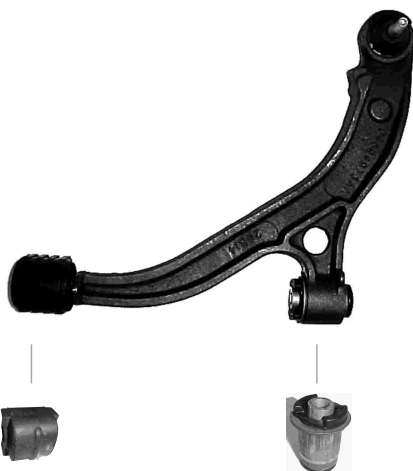


VOYAGER 2001->

IR-8323



IR-8324



IR-8323-A <

IR-8321-B <



> IR-8321-B

> IR-8324-A

IR	OEM	Icon	Part Name
< IR-8323	4766543	☰	L/H CONTROL ARM / BRAZO IZDO.
> IR-8324	4766542	☰	R/H CONTROL ARM / BRAZO DCHO.
< IR-8321-B	5272084	☑	SUSPENSION BUSH / SILEMBLOC DE SUSPENSIÓN
< IR-8323-A	4743095-AA	☑	SUSPENSION BUSH / SILEMBLOC DE SUSPENSIÓN
> IR-8324-A	4743094-AA	☑	SUSPENSION BUSH / SILEMBLOC DE SUSPENSIÓN

> CHRYSLER TRUCKS 4X2 VOYAGER 2001-> / PLYMOUTH TRUCKS 4X2 VOYAGER 2001-> / PLYMOUTH TRUCKS 4X4 VOYAGER 2001->